



CUBESYS DISCUSSION SERIES

AVD FOR EDUCATION

TODAY'S DISCUSSION FORMAT



The discussion is being recorded.



Please use the chat window to ask your questions.



We have our experts on hand to answer your questions.



The video and content will be sent via email post event.

Panel of Speakers



David Wymer
Azure Solution Sales
Lead
Microsoft



Michele Liva
Senior Manager Client
Technologies
TAFE NSW



George Zajakowski
Senior Cloud Consultant
cubesys



Paul Heaton
Chief Executive Officer
cubesys

Industry Statistics K-12



Gartner: By 2025, 80% of all K-12/primary-secondary education organizations will be leveraging some type of analytics applications designed specifically for K-12 to speed insight.

Gartner: By the end of 2024, 80% of K-12/primary-secondary organizations will be forced to increase their use of third-party support as a result of IT staff challenges.



Industry Statistics- Higher Education



From 14 August 2021 to 12 September 2021, educational organizations were the target of over 5.8 million malware attacks, or 63% of all such attacks.

Data suggests that the online tutoring market is expected to grow by over \$153 billion at a compound annual growth rate (CAGR) of 16% between 2020 and 2025.

Top Higher Education Business and Technology Trends for 2022

 Business Models	 Learning Environments and the Student Experience	 Operating Models
<ul style="list-style-type: none">• Enrollment Challenges• International Student Flows• Alternative Credentials• Marketing and Branding• Continuing Education and Workforce Development Platforms	<ul style="list-style-type: none">• Classroom Technology• Specialized Web-Conferencing Tools• Tutoring Solutions• Greater Focus on Career	<ul style="list-style-type: none">• Zero Trust Security• Staff Retention and Hiring• Digital Transformation Tensions• Robotic Process Automation• Low-Code Applications

Source: Gartner
763121_C

Microsoft VDI Solutions

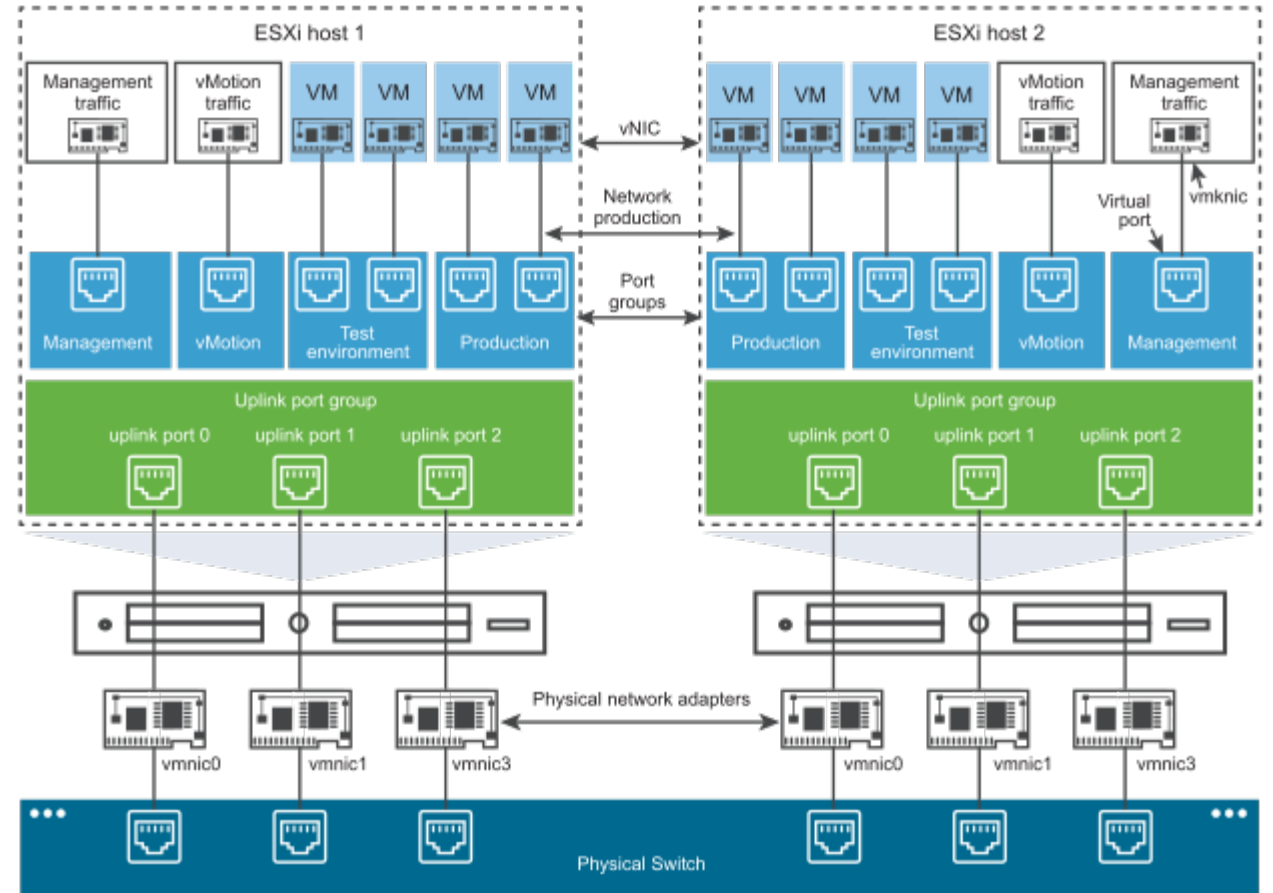


“We are transforming how Windows is experienced and managed with Azure Virtual Desktop and Windows 365. Azure Virtual Desktop monthly active usage increased more than 60% year over year.”

- **Satya Nadella, CEO Microsoft**



On-prem Solutions



AVD Integrations



Azure Virtual Desktop benefits

- ✓ Enables a multi-session Windows 10 experience, optimized for Office 365 ProPlus
- ✓ Flexible service allowing you to virtualize both desktops and apps
- ✓ Windows 7 virtual desktop with free Extended Security Updates
- ✓ Integrated with the security and management of Microsoft 365



AVD vs W365



Features / Support	Windows 365	Azure Virtual Desktop
Windows 10	✓	✓
Windows 11	✓	✓
Windows Server	✗	✓
Multi-session	✗	✓
Remote App Streaming	✗	✓
FSLogix	✗	✓
Third Party Support (VMware, Citrix, Nerdio)	✗ Nerdio only ✓	✓
GPU Support	✗	✓
Costs	Fixed rate – Per User	Consumption Based



Microsoft Cloud VDI



GOT MORE QUESTIONS?


Paul Heaton

paul.heaton@cubesys.com.au

 paulmichaelheaton

George Zajakovski

george.zajakovski@cubesys.com.au

 gzajakovski

CUBESYS DISCUSSION SERIES

AVD FOR EDUCATION

Thank you